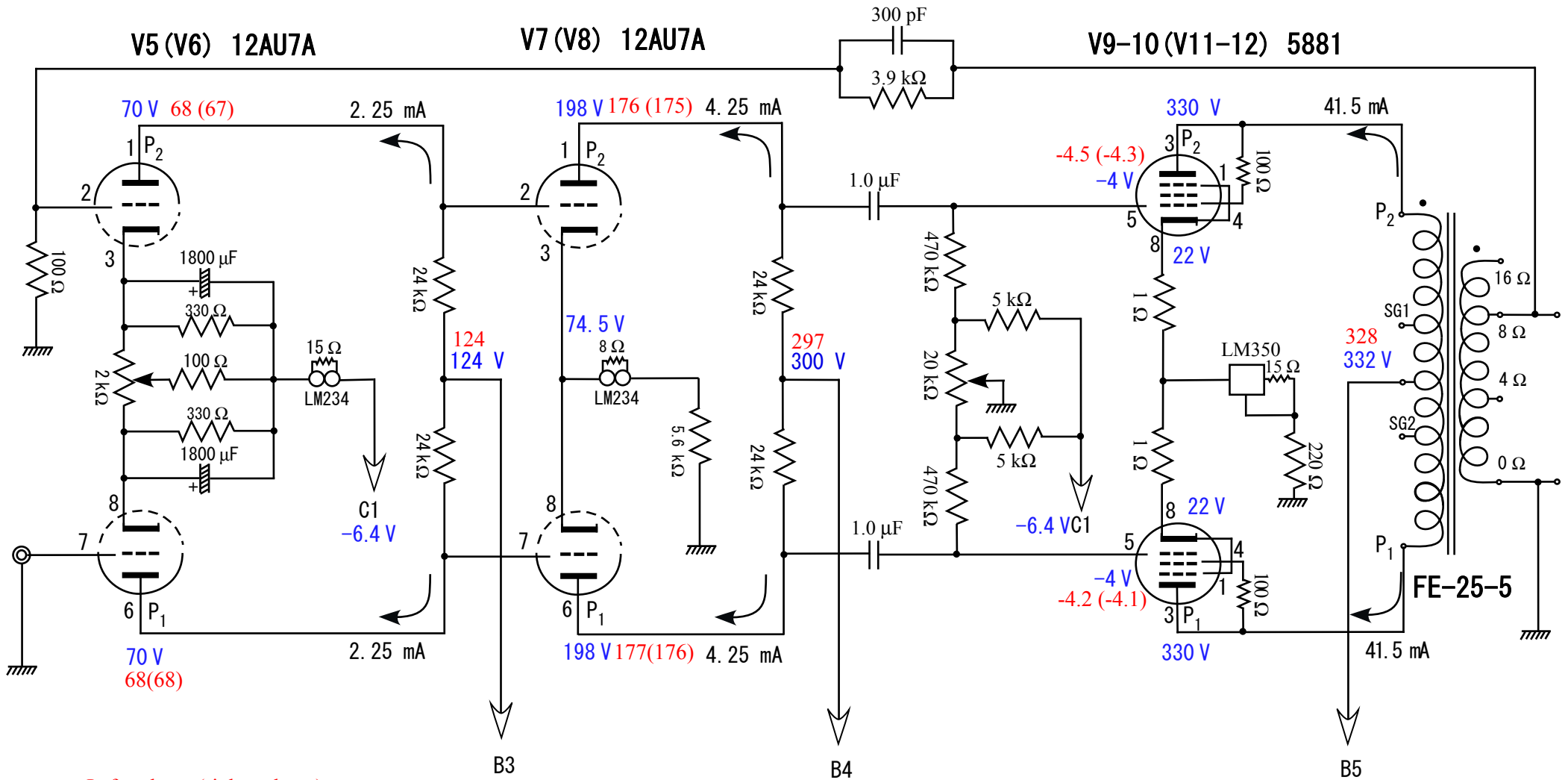


Main Amp. circuit for modified SQ-38FD



Left voltage (right voltage)