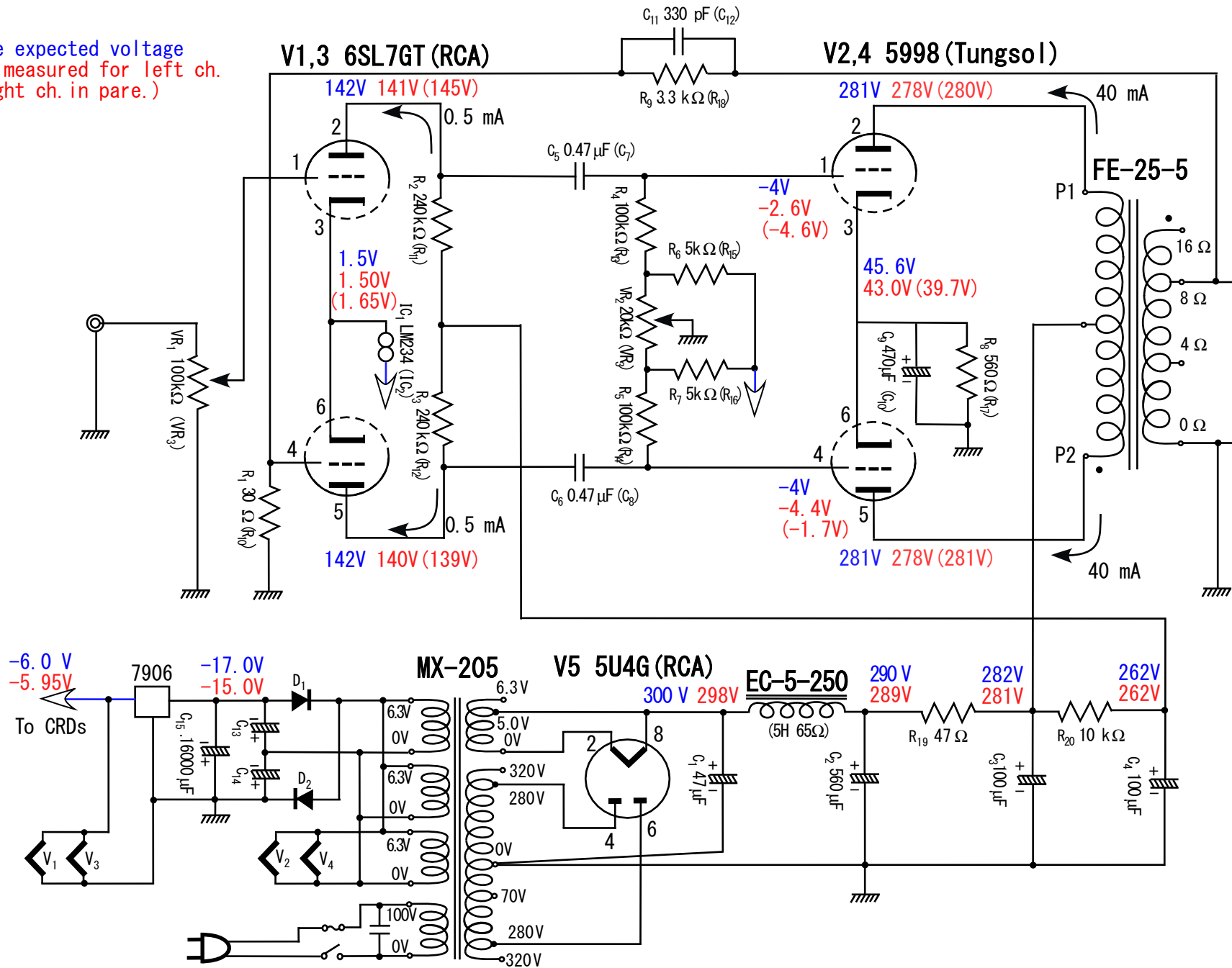


Blue expected voltage  
 red measured for left ch.  
 (right ch. in pare.)



Designed by YK  
 Final on July, 2009